

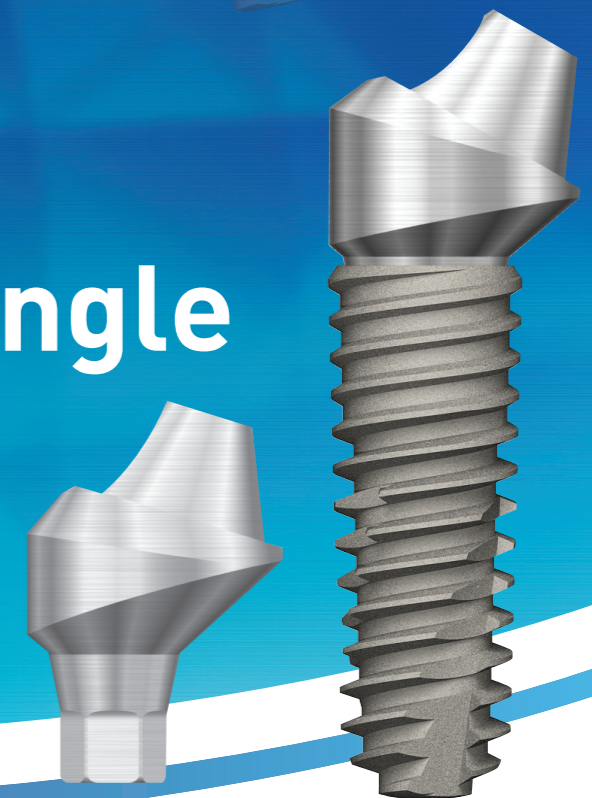
Edition 03 / 2011

GS / TS Multi Angle Abutment

Catalog & Manual

GS / TS Multi Angle Abutment

Catalog & Manual



OSSTEM[®]
IMPLANT

Osstem Germany GmbH
Mergenthalerallee 25
65760 Eschborn, Germany
tel_ 49 6196 777 550, fax_ 49 6196 777 5529
homepage_ <http://www.osstem.com>

Manufacturer
#507-8, Geoje3-dong, Yeongje-gu
Busan, Korea. Zip_ 611-804
tel_ 82 51 850 2500
fax_ 82 51 861 4693

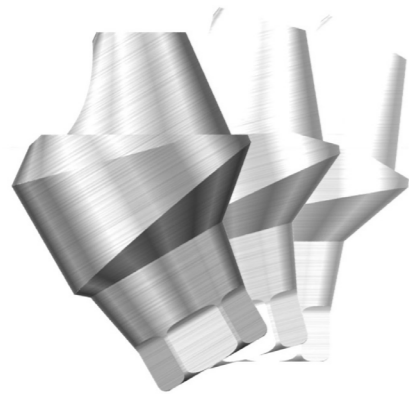
OSSTEM[®]
IMPLANT

GS / TS Multi Angle Abutment



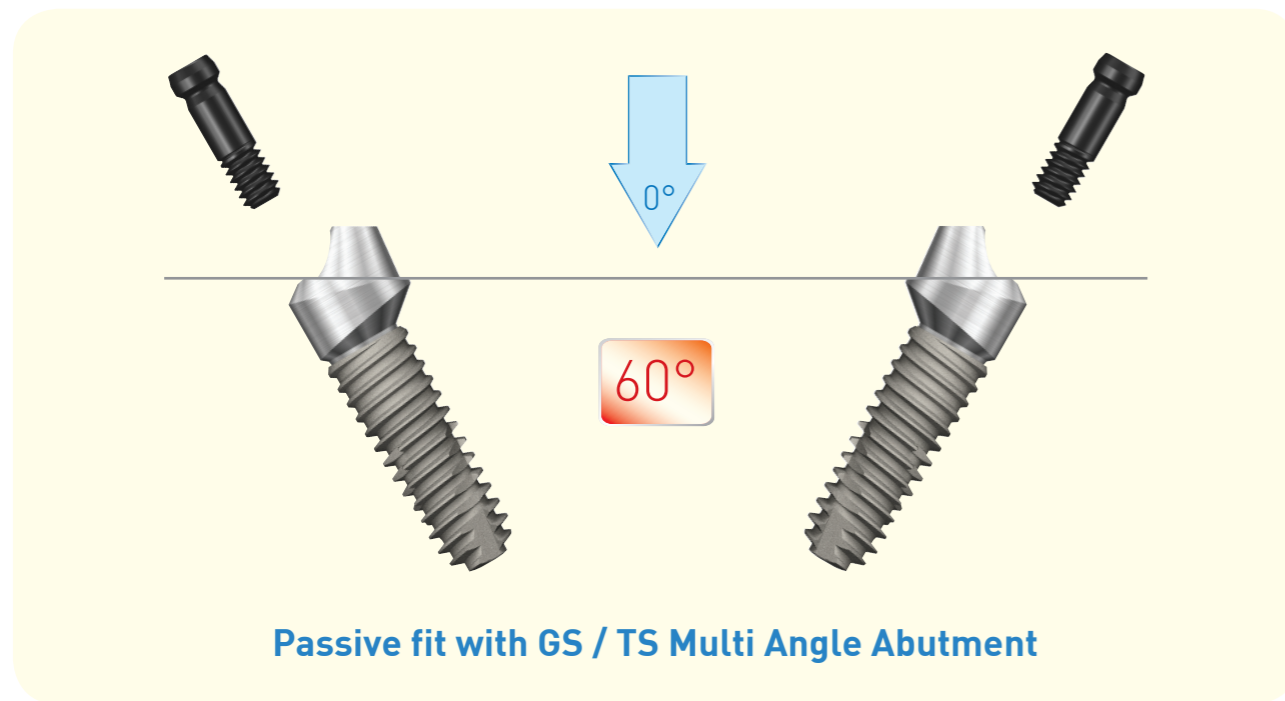
• Features

- 17°, 30° Angle line up for OSSTEM TS, GS implants
- Used with OSSTEM Esthetic-low cylinders and impression components (**only Non-Hex**)
- Ti-6Al-4V for biocompatibility and strength
- Packing unit : Abutment + Abutment Screw

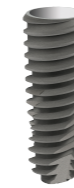


• Indications

- Fixed provisional prosthesis
- Fixed & Removal solutions for final prosthesis



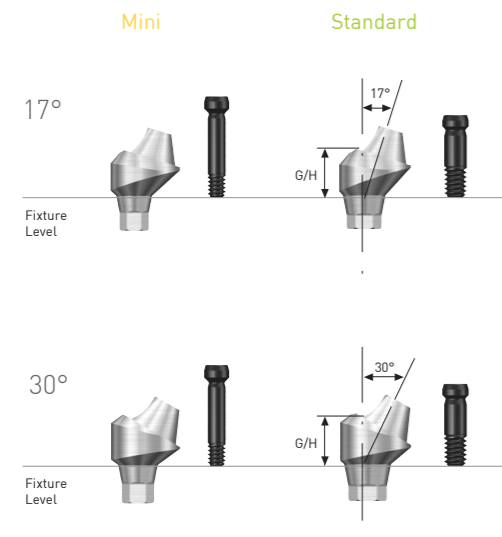
GS / TS Multi Angle Abutment



GS / TS Multi Angle Abutment with Esthetic-low Cylinders & Components

Product	Components Flow Diagram			Tool
Esthetic-low Cylinder Screw (20Ncm)				1.2 Hex Torque Driver
Esthetic-low Cylinder (Non-Hex)	Temporary Cylinder 	Gold Cylinder 	Plastic Cylinder 	Polishing Protector
Esthetic-low Lab Analog				Esthetic-low Healing Cap (Oral-side)
Esthetic-low Impression Coping (Non-Hex)	Transfer 	Pick-up 		1.2 Hex Hand Driver
GS / TS Multi Angle Abutment Screw (M-20Ncm, S-30Ncm)	M 	S 		1.2 Hex Torque Driver
GS / TS Multi-Angle Abutment	17° 	30° 		GS / TS Multi-Angle Abutment Carrier
Fixture	GSII 	GSIII 	TSIII 	

GS / TS Multi Angle Abutment



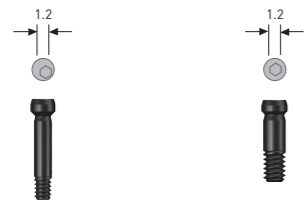
Angle	G/H	D	
		Mini-φ 4.5	Standard-φ 4.5
17°	2.0	GS17MAM4820	GS17MAS4820
	3.0	GS17MAM4830	GS17MAS4830
	4.0	GS17MAM4840	GS17MAS4840
30°	3.0	GS30MAM4830	GS30MAS4830
	4.0	GS30MAM4840	GS30MAS4840
	5.0	GS30MAM4850	GS30MAS4850

- Used with osstem implant Esthetic -low Cylinders & Component (only Non-Hex)
- Connect to implant by GS / TS Multi Angle Abutment Carrier
- Packing : Abutment + Abutment Screw
- Tightening torque : Mini - 20 Ncm, Standard - 30Ncm

Order code

GS / TS Multi Angle Abutment package : Product code + WH
 ex) GS30MAS4830 + WH = GS30MAS4830WH

GS / TS Multi Angle Abutment Screw



	Mini	Standard
EbonyGold Screw	GSMABSM	GSMABSS

- Used a 1.2 hex driver
- only for GS / TS Multi Angle Abutment
- Packing : GS / TS Multi Angle Abutment Screw

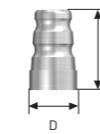
GS / TS Multi Angle Abutment Carrier



Code	GSMAC

- Tool for stable & safety connect implant to GS / TS Multi Angle Abutment
- Packing : GS / TS Multi Angle Abutment Carrier

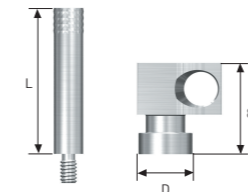
Esthetic-low Transfer Impression Coping



H	D	φ 4.8
8.0		MTTR100

- Used closed tray
- Packing : Esthetic-low transfer impression coping

Esthetic-low Pick up Impression Coping



H	D	φ 4.8
8.0		MSR100
Guide pin (L)	10	GP100
	15	GP150*
	17	GP170
	20	GP200

- Used open tray
- Packing : Esthetic-low Pick up impression coping + guide pin(GP150)

Esthetic-low Lab Analog



Code	MERR300

- Packing : Esthetic-low lab analog

Esthetic-low Healing Cap



H	D	φ 4.8
4.6		MHCR100

- Used GS / TS Multi Angle Abutment after impression for gingiva healing period
- Packing : Esthetic-low transfer healing Cap

Esthetic-low Cylinders & Component

Esthetic-low Cylinder Screw



Code	MTS200
------	--------

- Used a 1.2 hex driver
- only for Esthetic-low cylinders
- Packing : Ti Cylinder Screw

Esthetic-low Gold Cylinder



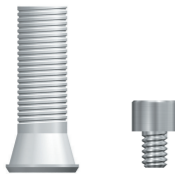
Type	D	φ 4.8
Non-Hex		MGR100
Ti Cylinder Screw		MTS200

- Used Precious Alloy Casting
- Packing : Esthetic-low Gold Cylinder + Ti Cylinder Screw
- Tightening Torque : 20Ncm

Order code

Esthetic-low Gold Cylinder package : Product code + TH
ex) MGR100 + TH = MGR100TH

Esthetic-low Plastic Cylinder



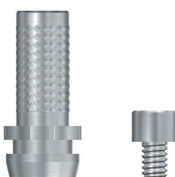
Type	D	φ 4.8
Non-Hex		MEPR100
Ti Cylinder Screw		MTS200

- Used Non-Precious Alloy Casting
- Packing : Esthetic-low Plastic Cylinder + Ti Cylinder Screw
- Tightening Torque : 20Ncm

Order code

Esthetic-low Plastic Cylinder package : Product code + TH
ex) MEPR100 + TH = MEPR100TH

Esthetic-low Temporary Cylinder



Type	D	φ 4.8
Non-Hex		MTR100
Ti Cylinder Screw		MTS200

- For provisional restorations
- Packing : Esthetic-low Temporary Cylinder + Ti Cylinder Screw
- Tightening Torque : 20Ncm

Order code

Esthetic-low Temporary Cylinder package : Product code + TH
ex) MTR100 + TH = MTR100TH

Esthetic-low Polishing Protector



H	D	φ 4.8
	4.6	MPCR100

- Use a polishing work after Casting or making provisional restorations
- Packing : Esthetic-low polishing protector