

**“Cutting edge  
technology and  
superior quality”**

Making products that dentists are able to  
trust and are satisfied with:  
This is our mission at **OSSTEM IMPLANT**

**We are forever grateful  
to all of our  
customers for their  
unwavering support to  
OSSTEM IMPLANT**

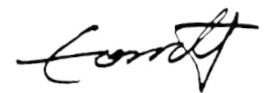
Osstem, South Korea's first implant manufacturer, has achieved steady growth thanks to the support and love from its customers. Osstem has put a lot of effort into continuous investment in R&D and quality innovation in order to provide products that customers are looking for and satisfied with. Based on this, it has become the No. 1 implant company in Asia Pacific region and No. 4 in the world. Moreover, it was ranked No. 1 for global fixture sales from 2017 to 2019 for 3 consecutive years and became the global provider of the implants most used by the customers all around the world.

In this 2020-21 product catalog, you can see a variety of products at a glance, including not only the implant products of Osstem's differentiated technology but also the digital dentistry products such as Oneguide the implant surgical guide, scanners, milling machines, CAD/CAM, etc. We have invested numerous efforts and time in the configuration and design of this catalog so that customers do not have any inconvenience of finding and ordering the products they need. The fixtures and abutments are listed to make it easy to understand the diameter, length, and functional behavior, in sequence that customers make a judgement for purchase.

The product type and code are displayed to help with accurate ordering. We have added the product thumbnail pages to view the components at a glance and detailed information pages to describe the functions of each component for enhanced user understanding. For GBR products, shape, size, and capacity of each product are described in detail for easy ordering as well. In addition, the release date and time are indicated for all products so that customers can easily distinguish new products from existing products for purchase. In terms of design, we applied high-quality product images to aid ordering without looking at the actual product, and improved user convenience by applying representative colors to facilitate classification by product category.

We hope that this 2020-21 product catalog will help you effectively find and purchase all the products you need for your dental practice. Osstem Implant will continue to strive to create greater customer value as a partner to help dentists provide better care. Thank you.

CEO of OSSTEM IMPLANT  
Tae-Kwan Eom



# Worldwide & History



## 1997

- 01 Established Osstem(D&D System)
- 12 Launched "Doobunae"(health insurance claiming software)

## 2000

- 06 Developed and launched "Hanaro" (total dental clinic management software)
- 12 Acquired Sumin Comprehensive Dental Materials (South Korea's fist implant manufacturer)

## 2001

- 01 Obtained CE-0434 certification
- 03 Established AIC Training Center

## 2002

- 01 Established Osstem Implant Research Center
- 08 Obtained US FDA certification

## 2003

- 07 Established the Information System Research Institute

## 2006

- 03 Changed company name to Osstem Implant Co., Ltd.
- 09 Established a subsidiary in the U.S. (HIOSEN), and set up the manufacturing facility
- 12 Completed the first-phase establishment of overseas subsidiaries (12 countries)

## 2007

- 02 Listed on KOSDAQ and began trading
- 11 Won the "10 Million Dollar Export Tower" on Trade Day

## 2008

- 01 Established Osstem Bone Science Research Institute
- 07 Won the Grand Prize of the 2008 Korea Health Industry Awards by the Ministry of Health, Welfare and Family Affairs

## 2010

- 03 Launched TSIII SA implant
- 06 Launched TSIII HA implant

## 2011

- 06 Osstem Implant Research Institute selected as an Advanced Technology Center (ATC) by the Ministry of Trade, Industry and Energy
- 07 Selected as 2011 World Champ company by KOTRA
- 12 Selected as Current World-Class Product by the Ministry of Knowledge Economy

## 2012

- 06 Launched TSIII CA implant
- 07 Established the Medical Equipment Research Institute

## 2013

- 01 Launched xenograft "A-Oss"
- 09 Launched "K3 unit chair"

## 2014

- 05 Launched impression material "Hysil"
- 08 Launched whitening material "BeauTis"

## 2015

- 03 Established Osstem Pharma Co., Ltd.
- 12 Awarded the "50 Million Dollar Export Tower" on Trade Day

## 2016

- 01 Established VUSSEN Co., Ltd.
- 02 Released TSIII BA
- 03 Acquired Cardiotec Co., Ltd.
- 04 Launched the dental clinic interior design business
- 06 Released TSIII SOI
- 08 Acquired Hubit Co., Ltd.
- 11 Launched "OneGuide"

## 2017

- 12 Won the Presidential Award at 2017 Government Commendation for Job Creation

## 2018

- 11 Won the '2018 SW Enterprise Quality Award' by Ministry of Science and Technology
- 12 Won the "100 Million Dollar Export Tower" on Trade Day

## 2019

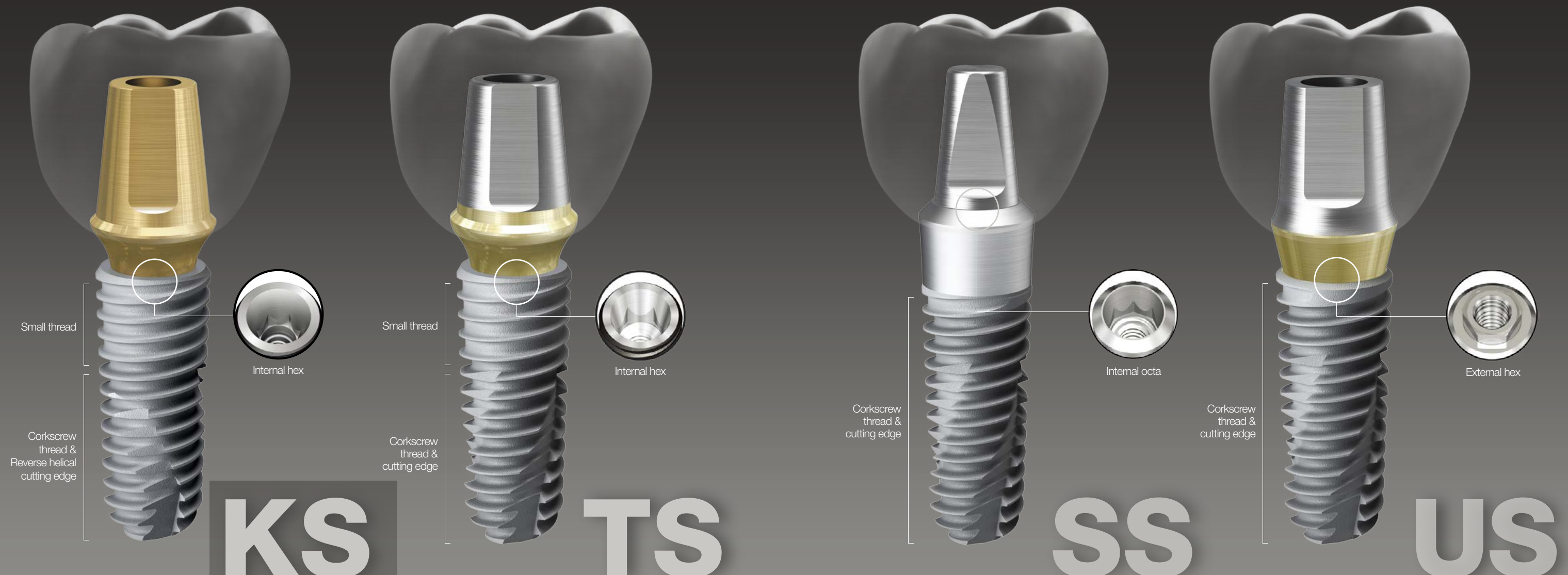
- 08 Opened manufacturing corporation in Yancheng, China
- 10 Established a subsidiary in Brazil (23 subsidiaries in 26 countries in operation)
- 12 Awarded the Brand Top, Industrial Service, Presidential Citation, Prime Minister Citation, and KITA Citation on 56th Trade Day

## 2020

- 01 Launched "OneClick" the electronic chart for dental clinics
- 02 Established "DenAll", the comprehensive dental portal
- 07 Headquarters relocated to Magok, Seoul
- 08 No.1 seller of fixture for 3 consecutive years (2017~2019)



# OSSTEM<sup>®</sup> Implant Design feature



## Next-generation submerged type implant with an Internal hex 15° tapered connection structure

- Connection - **Regular only** (2.1hex single platform)
  - Strength intensified due to a narrower and deeper connection
  - Reduced prosthetic errors and inventory burden with no variation of the product (Mini/Regular)
- Abutment holding system applied to enable screw fastening with one hand
- Excellent initial stability in soft bone with smaller threads in the upper section
- Corkscrew thread & cutting edge
  - Superior self-threading effect for easy placement path adjustment
  - Enhanced initial stability in soft bone and consistent placement torque according to the drill diameter
- Available surface types - BA

## Submerged type implant with an internal hex 11° tapered connection structure

- Connection - **Mini / Regular**
- Excellent initial stability in soft bone with smaller threads in the upper section
- Corkscrew thread & cutting edge
  - Superior self-threading effect for easy placement path adjustment
  - Enhanced initial stability in soft bone and consistent placement torque according to the drill diameter
- Various body shape options available to match the patient's bone quality and clinical condition
  - TSII (straight body) : Easy to adjust placement depth
  - TSIII (1.5° tapered body) : Excellent initial stability needed for immediate loading even in soft bone
  - TSIV (6° tapered body) : Specifically designed for use in maxillary sinus and soft bone, providing excellent initial stability
- Available surface types - SA / CA / BA / SOI

## Non-submerged type implant with an internal octa 8° tapered connection based on 1st stage surgery

- Connection - **Regular / Wide**
- Corkscrew thread & cutting edge
  - Superior self-threading effect for easy placement path adjustment
  - Enhanced initial stability in soft bone and consistent placement torque according to the drill diameter
- Various body shape options available to match the patient's bone quality and clinical condition
  - SSII (straight body) : Easy to adjust placement depth
  - SSIII (1.5° tapered body) : Excellent initial stability needed for immediate loading even in soft bone
- Available surface types - SA / CA / BA

## Submerged type implant with an external hex connection structure

- Connection - **Mini / Regular / Wide / Wide PS**
- Corkscrew thread & cutting edge
  - Superior self-threading effect for easy placement path adjustment
  - Enhanced initial stability in soft bone and consistent placement torque according to the drill diameter
- Various body shape options available to match the patient's bone quality and clinical condition
  - USII (straight body) : Easy to adjust placement depth
  - USIII (1.5° taper body) : Excellent initial stability needed for immediate loading even in soft bone
  - USIV (6° taper body) : Specifically designed for use in maxillary sinus and soft bone, providing excellent initial stability
- Available surface types - SA / CA / BA / SOI



# OSSTEM<sup>®</sup> Implant Surface feature

The key factor in providing implant treatment safely and efficiently is surface technology.

OSSTEM IMPLANT proudly presents its cutting-edge surface technology

SA CA HA SOI

## Optimized Surface through Acid Treatment

- Ra 2.0~3.0 $\mu\text{m}$  surface roughness  
(Note : The roughness in the upper 0.5mm part is Ra 0.5~0.6 $\mu\text{m}$ )
- Consistent surface micro-pits of 1~3 $\mu\text{m}$
- Surface area increased by 46% compared to RBM treated implants

## In-vitro and In-vivo Bone Response

- Osteoblast differentiation and ossification improved by 20% compared to RBM treated implants
- Initial bone reaction performance in big animal model (mini-pig)
  - Initial stability (RT, 4 weeks) improved by 48% compared to RBM treated implants
  - Ossification (BIC, 4 weeks) improved by 20% compared to RBM treated implants

## Super-hydrophilic SA surface immersed in a calcium solution

- Same surface morphology as SA surfaces
- Surface reaction activated by immersing in a calcium solution ( $\text{CaCl}_2$ )
- Increased new bone formation area with excellent blood wettability
- Bone response improved in early osseointegration stage compared to standard SA surface

## In-vitro and In-vivo Bone Response

- Protein and cellular adhesion tripled compared to SA surfaces
- Initial cellular differentiation (7 days) improved by 19% compared to SA surfaces
- Initial stability (RT, 4 weeks) improved by 34% compared to SA surfaces
- Ossification (BIC, 4 weeks) improved by 26% compared to SA surfaces

## Premium low crystalline nano-HA coated SA surface

- 10nm ultra-thin HA coating
- SA surface (Ra 2.0~3.011 $\mu\text{m}$ ) coated with HA
- Dual functions of titanium and HA
  - HA is naturally resorbed during ossification

## In-vitro and In-vivo Bone Response

- Advantages of both SA and HA surfaces
  - SA's ability to maintain an optimal surface
  - HA's ability to form high quality initial bone even in bone of poor quality
- Ossification (BIC) improved by 26% compared to SA surfaces
- Applicable to all types of bone quality

## Next-generation surface with hemostatic effect and pH control feature


- Activation of blood clot formation
- Prevention of carbon adsorption in air
- Same surface roughness (Ra 2.0~3.0 $\mu\text{m}$ ) as SA surfaces
- Superior blood wettability with super hydrophilic surface

## In-vitro and In-vivo Bone Response

- Protein and cellular adhesion increased by 130 times compared to SA surfaces
- Initial stability (RT, 4 weeks) improved by 57% compared to SA surfaces
- Surface with the shortest duration of treatment



# KS SYSTEM Contents

040 KSIII BA Fixture		042 Simple Mount		042 Cover Screw		043 Healing Abutment		047 Rigid Abutment	
050 Transfer Abutment		052 Bite Impression Coping		053 Bite Impression Coping Driver		053 Bite Index		054 Pick-up Impression Coping	
055 Transfer Impression Coping		056 Fixture Lab Analog		056 Laboratory Screw		059 Angled Abutment		061 FreeForm ST Abutment	
063 GoldCast Abutment		064 NP-Cast Abutment		065 Pre-Milled Abutment		066 Scan Body		067 Link Abutment for Public	
068 Link Abutment for Cerec		069 Scan Post		070 Temporary Abutment		073 Multi Abutment		074 Multi Angled Abutment	
075 Stud Abutment		076 Port Angled Abutment							

**OSSTEM<sup>®</sup>**  
IMPLANT

CONTENTS

012

CONTENTS

013





# KS SYSTEM

## FIXTURE

- 040** KSIII BA Fixture
- 042** Simple Mount
- 042** Cover Screw
- 043** Healing Abutment

## COMPONENTS

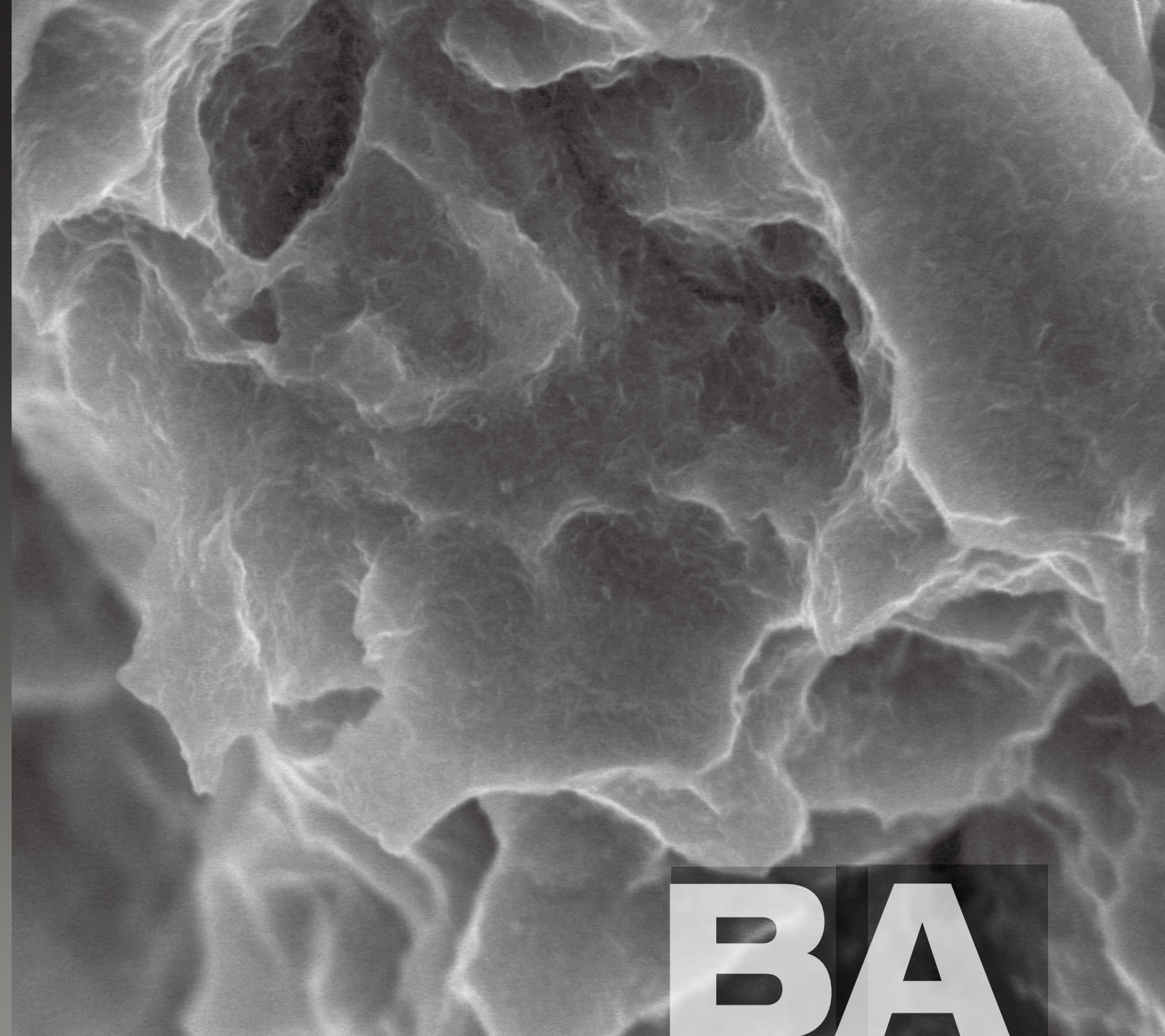
- 046** PROSTHETIC FLOW DIAGRAM 1
- 047** Rigid Abutment
- 050** Transfer Abutment
- 058** PROSTHETIC FLOW DIAGRAM 2
- 059** Angled Abutment
- 061** FreeForm ST Abutment
- 063** GoldCast Abutment
- 064** NP-Cast Abutment
- 065** Pre-Milled Abutment
- 067** Link Abutment for Public
- 068** Link Abutment for Cerec
- 070** Temporary Abutment
- 072** PROSTHETIC FLOW DIAGRAM 3
- 073** Multi Abutment
- 074** Multi Angled Abutment
- 075** Stud Abutment
- 076** Port Angled Abutment



# KS Design & Surface Feature



# KS



# BA



KS packaging color information

## Next-generation submerged type implant with an Internal hex 15° tapered connection structure

- Connection - **Regular only** (2.1 hex single platform)
  - Strength intensified due to a narrower and deeper connection
  - Reduced prosthetic errors and inventory burden with no variation of the product (Mini/Regular)
- Abutment holding system applied to enable screw fastening with one hand
- Excellent initial stability in soft bone with smaller threads in the upper section
- Corkscrew thread & cutting edge
  - Superior self-threading effect for easy insertion path adjustment
  - Enhanced initial stability in soft bone and consistent placement torque according to the drill diameter
- Available surface types - BA

## Premium low crystalline nano-HA coated SA surface

- 10nm Ultra-thin HA coating
- SA surface (Ra 2.0-3.011 $\mu$ m) coated with HA
- Dual functions of titanium and HA
  - HA is naturally resorbed during ossification

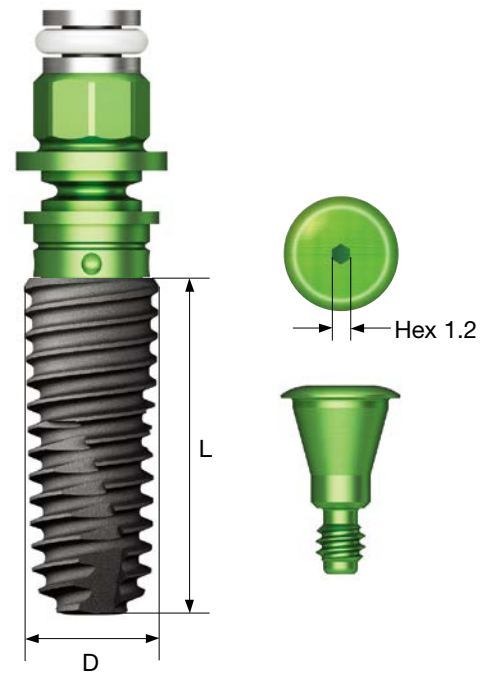
## In-vitro and In-vivo Bone Response

- Advantages of both SA and HA surfaces
  - SA's ability to maintain an optimal surface
  - HA's ability to form high quality initial bone even in bone of poor quality
- Ossification (BIC) improved by 26% compared to SA surfaces
- Applicable to all types of bone quality



# KSIII BA Fixture 10.2019

- Next-generation submerged type implant with an Internal hex 15° tapered connection structure
- Connection : Regular only (2.1 hex single platform)
  - Strength intensified due to a narrower and deeper connection
  - Reduced prosthetic errors and inventory burden with no variation of the product (Mini/Regular)
- Abutment holding system applied to enable screw fastening with one hand
- Excellent initial stability in soft bone with smaller threads in the upper section
- Corkscrew thread & cutting edge
  - Superior self-threading effect for easy placement path adjustment
  - Enhanced initial stability in soft bone and consistent placement torque according to the drill diameter
- Recommended placement torque :  $\leq 40\text{Ncm}$
- ※ Fixtures with a diameter of 4.5mm or greater are recommended for the posterior region



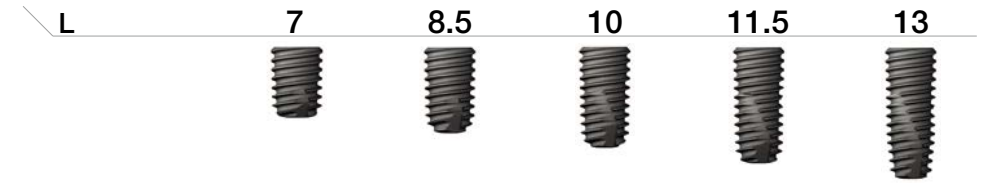
**NoMount Fixture (fixture + cover screw) order code**

: **C** + fixture product code (ex : **CKS3S4010B**)

**Pre-Mounted Fixture (fixture + mount + cover screw) order code**

: **B** + fixture product code (ex : **BKS3S4010B**)

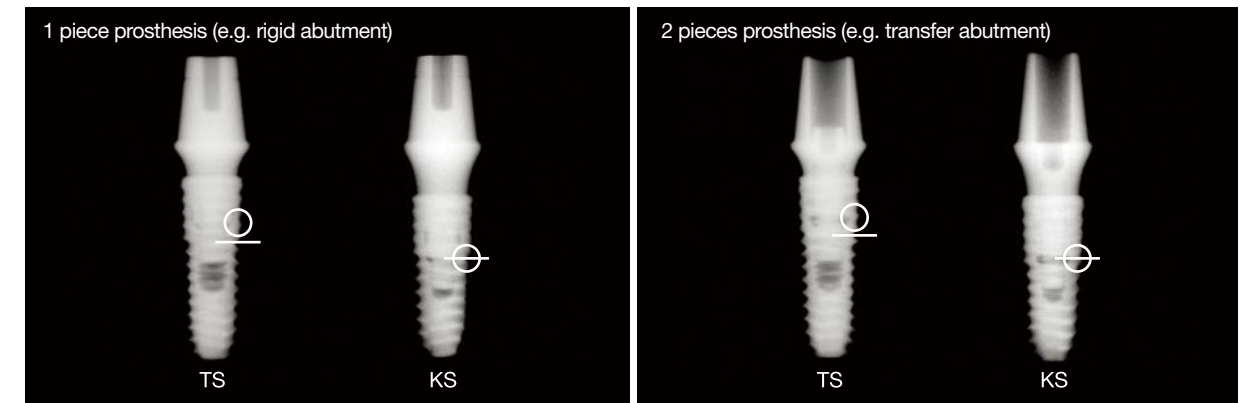
**D Ø5.0**  
**Hex 2.1**



KS3S5007B KS3S5008B KS3S5010B KS3S5011B KS3S5013B

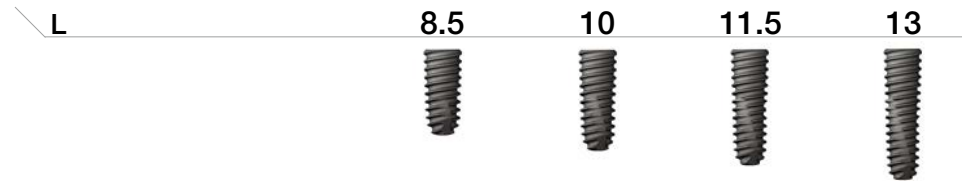
## Distinction of TS and KS on radiographs

If the empty space at the bottom of the abutment coincides with the beginning of the small thread, it is KS.



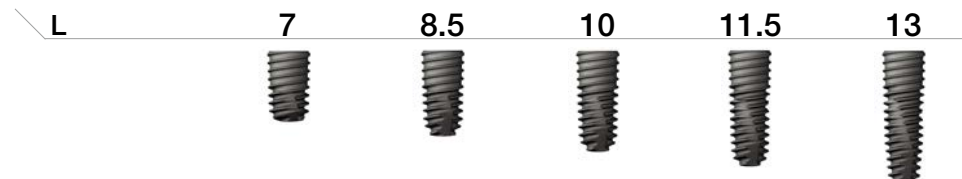
040

**D Ø3.5**  
**Hex 2.1**



KS3S3508B KS3S3510B KS3S3511B KS3S3513B

**D Ø4.0**  
**Hex 2.1**



KS3S4007B KS3S4008B KS3S4010B KS3S4011B KS3S4013B

**D Ø4.5**  
**Hex 2.1**



KS3S4507B KS3S4508B KS3S4510B KS3S4511B KS3S4513B

041

KS SYSTEM

Nominal diameter may differ from actual diameter.



# Mount & Screw

## Simple Mount

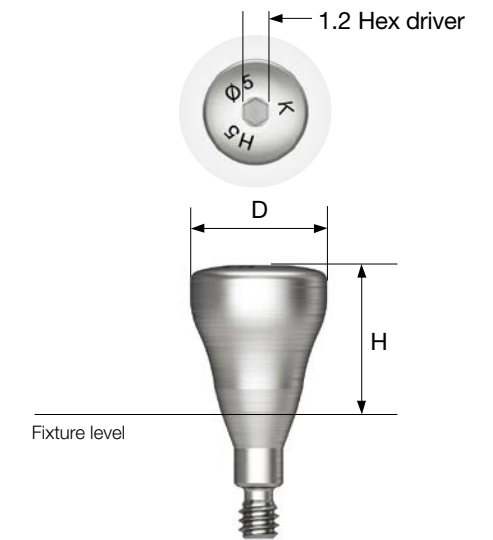
- Hex driver : 1.2
- Recommended tightening torque : 8~10Ncm
- Dedicated simple mount used for Ø3.5 fixture
- Packing unit : Mount + Mount Screw
- ※ Disposable, Do not reuse

For  
Ø3.5



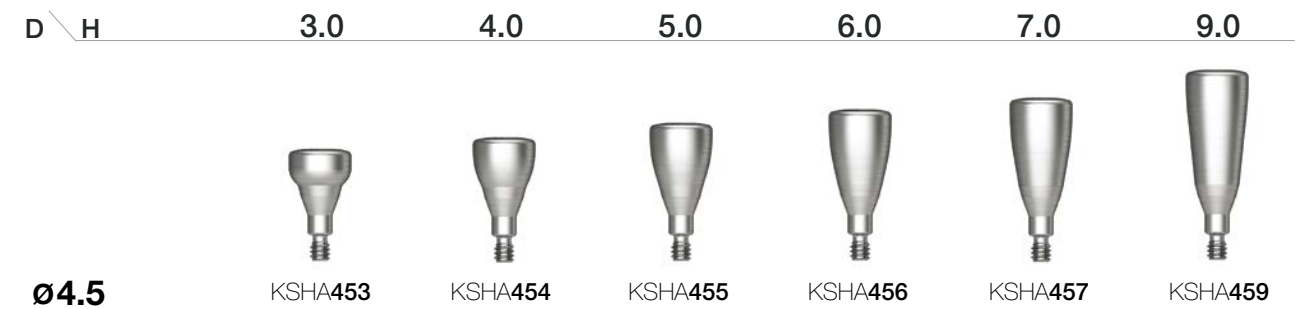
# Healing Abutment

- Hand tightened with 1.2 hex driver
- G/H height raised by 0.5mm for Ø3.5 fixture with the abutment tightened



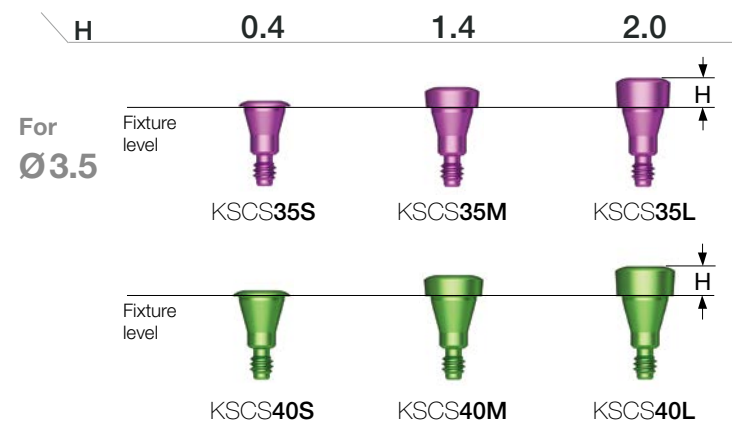
Matching table

Healing abutment	H	3.0	4.0	5.0	7.0
Abutment	G/H	1.0	2.0 or 3.0	3.0 or 4.0	5.0 and above
Impression coping	Type	Short	Short	Long	Long









## Cover Screw

- Height (H) selected according to the depth of fixture placement
- Dedicated cover screw used for Ø3.5 fixture
- Hand tightened with 1.2 hex driver




# Healing Abutment

D \ H	3.0	4.0	5.0	6.0	7.0	9.0
Ø5.0	 KSHA503	 KSHA504	 KSHA505	 KSHA506	 KSHA507	 KSHA509

D \ H	3.0	4.0	5.0	6.0	7.0	9.0
Ø6.0	 KSHA603	 KSHA604	 KSHA605	 KSHA606	 KSHA607	 KSHA609

D \ H	3.0	4.0	5.0	6.0	7.0	9.0
Ø7.0	 KSHA703	 KSHA704	 KSHA705	 KSHA706	 KSHA707	 KSHA709

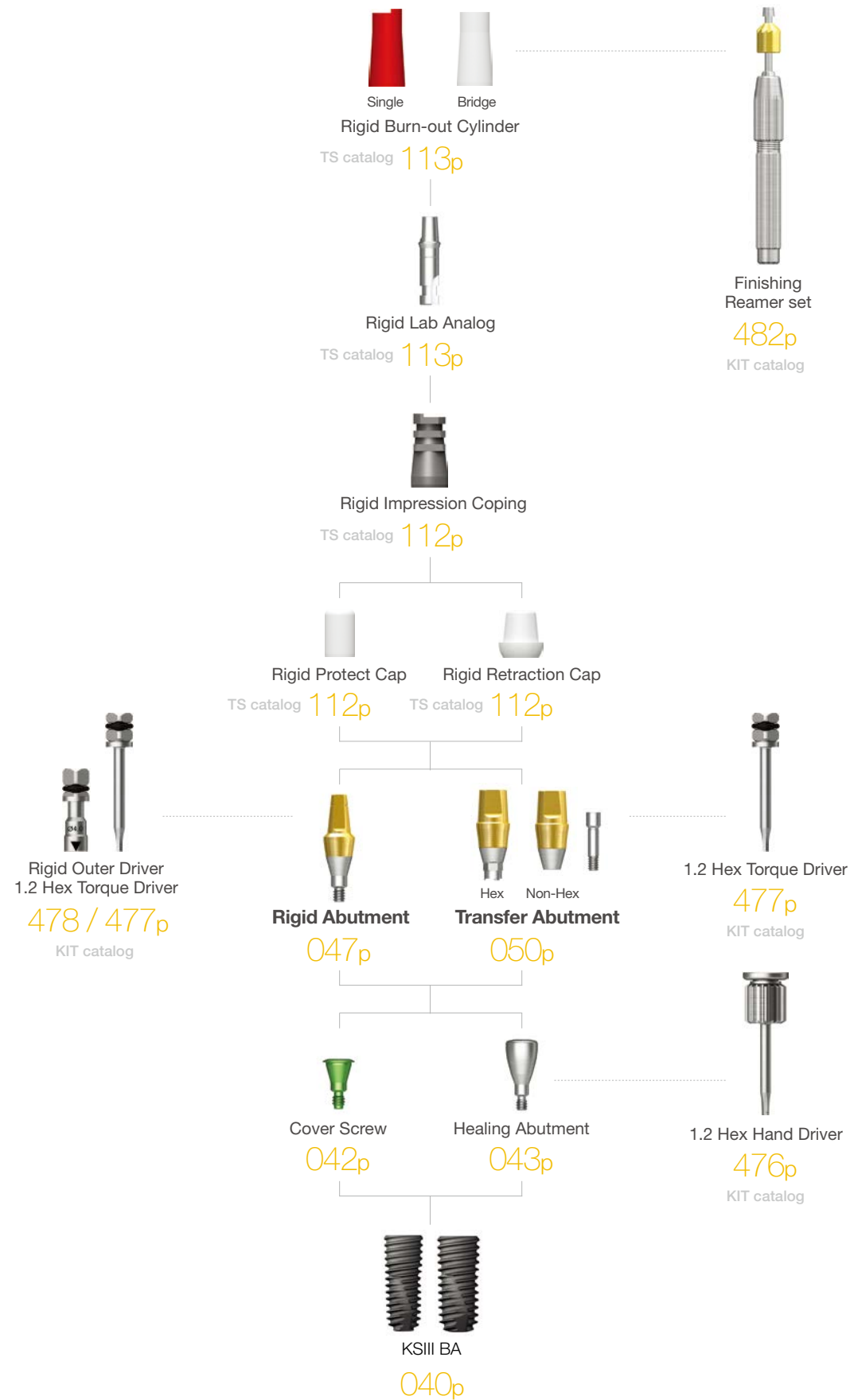
D \ H	3.0	4.0	5.0	6.0	7.0	9.0
Ø8.0	-	-	 KSHA805	-	-	-

**OSSTEM<sup>®</sup>**  
IMPLANT



# Rigid / Transfer

Abutment Level Impression



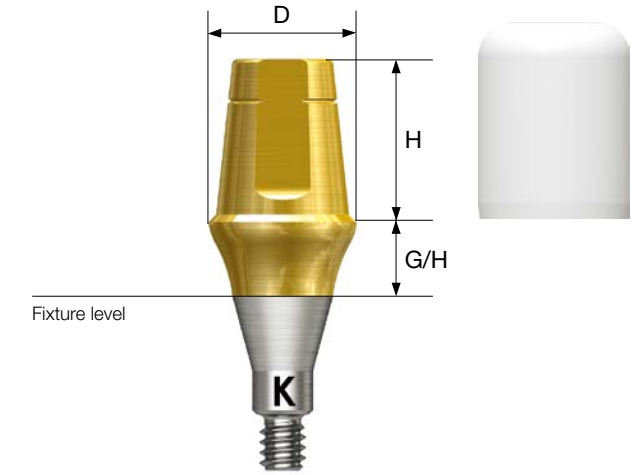
# Rigid Abutment

- Abutment for producing cement-retained prosthesis
- Abutment level impression
- Ø4.0 : tightened with outer driver (code : ORDML/ORDMS)
- Ø4.5/5.0/6.0 : tightened with outer driver or 1.2 hex driver
- Ø7.0: tightened with 1.2 hex driver
- G/H height raised by 0.5mm for Ø3.5 fixture with the abutment tightened
- Recommended tightening torque : 30Ncm
- Packing unit : Abutment + Protect cap

**Abutment + Protect cap order code**  
: product code + P (ex : KSRA5620P)



KS products are marked with "K".



**D Ø4.0**



H \ G/H	1.0	2.0	3.0	4.0	5.0
<b>4.0</b>	KSRA4410	KSRA4420	KSRA4430	KSRA4440	KSRA4450
<b>5.5</b>	KSRA4610	KSRA4620	KSRA4630	KSRA4640	KSRA4650
<b>7.0</b>	KSRA4710	KSRA4720	KSRA4730	KSRA4740	KSRA4750

**D Ø4.5**








H \ G/H	1.0	2.0	3.0	4.0	5.0
<b>4.0</b>	KSRA4411	KSRA4421	KSRA4431	KSRA4441	KSRA4451
<b>5.5</b>	KSRA4611	KSRA4621	KSRA4631	KSRA4641	KSRA4651
<b>7.0</b>	KSRA4711	KSRA4721	KSRA4731	KSRA4741	KSRA4751

# Rigid Abutment

D Ø5.0



H \ G/H	1.0	2.0	3.0	4.0	5.0
					
<b>4.0</b>	KSRA5410	KSRA5420	KSRA5430	KSRA5440	KSRA5450
<b>5.5</b>	KSRA5610	KSRA5620	KSRA5630	KSRA5640	KSRA5650
<b>7.0</b>	KSRA5710	KSRA5720	KSRA5730	KSRA5740	KSRA5750

D Ø6.0



H \ G/H	1.0	2.0	3.0	4.0	5.0
					
<b>4.0</b>	KSRA6410	KSRA6420	KSRA6430	KSRA6440	KSRA6450
<b>5.5</b>	KSRA6610	KSRA6620	KSRA6630	KSRA6640	KSRA6650
<b>7.0</b>	KSRA6710	KSRA6720	KSRA6730	KSRA6740	KSRA6750

OSSTEM<sup>®</sup>  
IMPLANT

D Ø7.0



H \ G/H	1.0	2.0	3.0	4.0	5.0
					
<b>5.5</b>	KSRA7610	KSRA7620	KSRA7630	KSRA7640	KSRA7650



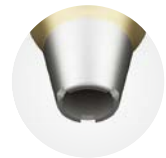
# Transfer Abutment

- Abutment for producing cement-retained/combination prosthesis
- Fixture level impression
- Abutment level impression possible by rigid impression coping (except Ø4.0)
- Tightened with 1.2 hex driver
- G/H height raised by 0.5mm for Ø3.5 fixture with the abutment tightened
- Recommended tightening torque : 30Ncm
- Packing unit : Abutment + Ti screw

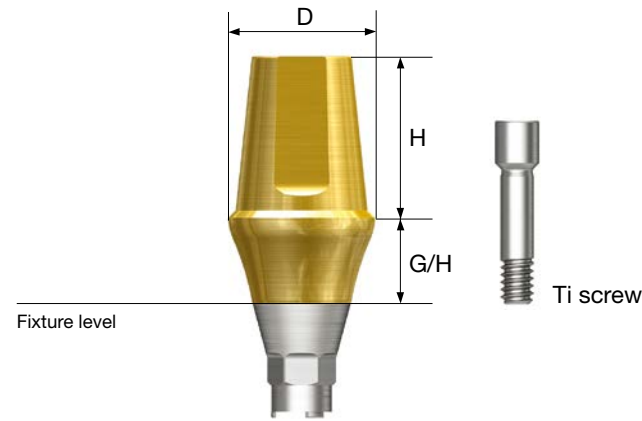
**Abutment + Ti screw order code**  
: product code + TH (ex : KSTA4621TH)



KS products have a cylinder and a slot at the bottom.



KS non-hex products have a slot at the bottom.



## D Ø5.0



		H \ G/H	1.0	2.0	3.0	4.0	5.0
Hex	4.0						
	5.5		KSTA5410	KSTA5420	KSTA5430	KSTA5440	KSTA5450
	7.0		KSTA5610	KSTA5620	KSTA5630	KSTA5640	KSTA5650
Non-Hex	4.0						
	5.5		KSTA5410N	KSTA5420N	KSTA5430N	KSTA5440N	KSTA5450N
	7.0		KSTA5610N	KSTA5620N	KSTA5630N	KSTA5640N	KSTA5650N

## D Ø6.0



		H \ G/H	1.0	2.0	3.0	4.0	5.0
Hex	4.0						
	5.5		KSTA6410	KSTA6420	KSTA6430	KSTA6440	KSTA6450
	7.0		KSTA6610	KSTA6620	KSTA6630	KSTA6640	KSTA6650
Non-Hex	4.0						
	5.5		KSTA6410N	KSTA6420N	KSTA6430N	KSTA6440N	KSTA6450N
	7.0		KSTA6610N	KSTA6620N	KSTA6630N	KSTA6640N	KSTA6650N

## D Ø4.0



		H \ G/H	1.0	2.0	3.0	4.0	5.0
Hex	5.5						
	7.0		KSTA4612	KSTA4622	KSTA4632	KSTA4642	KSTA4652
	7.0		KSTA4712	KSTA4722	KSTA4732	KSTA4742	KSTA4752
Non-Hex	5.5						
	7.0		KSTA4612N	KSTA4622N	KSTA4632N	KSTA4642N	KSTA4652N
	7.0		KSTA4712N	KSTA4722N	KSTA4732N	KSTA4742N	KSTA4752N

## D Ø4.5



		H \ G/H	1.0	2.0	3.0	4.0	5.0
Hex	5.5						
	7.0		KSTA4611	KSTA4621	KSTA4631	KSTA4641	KSTA4651
	7.0		KSTA4711	KSTA4721	KSTA4731	KSTA4741	KSTA4751
Non-Hex	5.5						
	7.0		KSTA4611N	KSTA4621N	KSTA4631N	KSTA4641N	KSTA4651N
	7.0		KSTA4711N	KSTA4721N	KSTA4731N	KSTA4741N	KSTA4751N

## D Ø7.0



		H \ G/H	1.0	2.0	3.0	4.0	5.0
Hex	4.0						
	5.5		KSTA7410	KSTA7420	KSTA7430	KSTA7440	KSTA7450
	5.5		KSTA7610	KSTA7620	KSTA7630	KSTA7640	KSTA7650
Non-Hex	4.0						
	5.5		KSTA7410N	KSTA7420N	KSTA7430N	KSTA7440N	KSTA7450N
	5.5		KSTA7610N	KSTA7620N	KSTA7630N	KSTA7640N	KSTA7650N

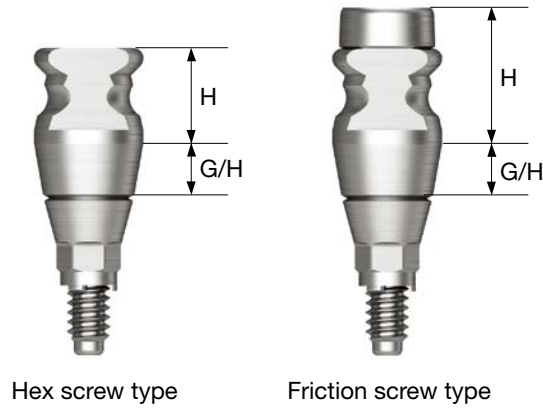
# Transfer Abutment Components

## Bite Impression Coping

- Components for fixture level impression taking
- Bite taking as well as impression taking
- Same basic usage as transfer impression coping
- Hand tightened with bite impression coping driver
- Hex screw type tightened with 1.2 hex driver and friction screw type tightened with bite impression coping driver
- G/H height raised by 0.5mm for Ø3.5 fixture with the abutment tightened



KS products have a cylinder and a slot at the bottom.



Hex screw type

Friction screw type

## Bite Impression Coping Driver

### Hex Screw Type

- Used for tightening and loosening of bite impression coping
- Dedicated driver for hex screw type



OICDMH

### Friction Screw Type

- Used for tightening and loosening of bite impression coping
- Dedicated driver for friction screw type



OICDM

D \ H	G/H	2.0	3.0	4.0	5.0
Ø 4.0	3.5	KSBIC4420H	KSBIC4430H	KSBIC4440H	KSBIC4450H
	5.5	KSBIC4620H	KSBIC4630H	KSBIC4640H	KSBIC4650H
Ø 4.5	3.5	KSBIC4421H	KSBIC4431H	KSBIC4441H	KSBIC4451H
	5.5	KSBIC4621H	KSBIC4631H	KSBIC4641H	KSBIC4651H
Ø 5.0	3.5	KSBIC5420H	KSBIC5430H	KSBIC5440H	KSBIC5450H
	5.5	KSBIC5620H	KSBIC5630H	KSBIC5640H	KSBIC5650H

D \ H	G/H	2.0	3.0	4.0	5.0
Ø 4.0	5.0	KSBIC4420	KSBIC4430	KSBIC4440	KSBIC4450
	7.0	KSBIC4620	KSBIC4630	KSBIC4640	KSBIC4650
Ø 4.5	5.0	KSBIC4421	KSBIC4431	KSBIC4441	KSBIC4451
	7.0	KSBIC4621	KSBIC4631	KSBIC4641	KSBIC4651
Ø 5.0	5.0	KSBIC5420	KSBIC5430	KSBIC5440	KSBIC5450
	7.0	KSBIC5620	KSBIC5630	KSBIC5640	KSBIC5650

## Bite Index

- G/H height raised by 0.5mm for Ø3.5 fixture with the abutment tightened
- Assembled to the fixture for check bite impression
- Hand tightened with 1.2 hex driver
- Packing unit : 2ea

D \ L	4.0	6.0	8.0	10.0	12.0
Ø 4.5	KSBI4504S	KSBI4506S	KSBI4508S	KSBI4510S	KSBI4512S
Ø 5.5	KSBI5504S	KSBI5506S	KSBI5508S	KSBI5510S	KSBI5512S



# Transfer Abutment Components

## Pick-up Impression Coping

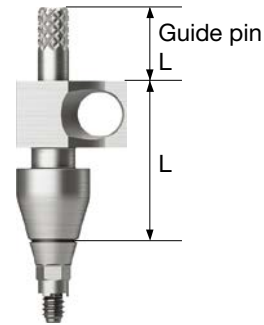
- Components for fixture level impression taking
- Using open tray
- Unique design that is stably fixed within the impression body
- Hand tightened with 1.2 hex driver
- G/H height raised by 0.5mm for Ø3.5 fixture with the abutment tightened
- Packing unit : Impression coping body + Guide pin(\*)



KS products have a cylinder and a slot at the bottom.



KS non-hex products have a slot at the bottom.



## Transfer Impression Coping

- Components for fixture level impression taking
- Using closed tray
- Triangular arc structure for stable fastening and accurate repositioning
- Hand tightened with 1.2 hex driver
- G/H height raised by 0.5mm for Ø3.5 fixture with the abutment tightened
- Packing unit
- Hex : Impression coping body + Guide pin
- Non-hex : Impression coping



KS products have a cylinder and a slot at the bottom.



D \ L	Type	11		Guide Pin			
		Hex	Non-Hex	0	5.0	10	15
Ø 4.0		KSPI4011	KSPI4011N	KSPGP100	KSPGP150*	KSPGP200	KSPGP250
Ø 4.5		KSPI4511	KSPI4511N				
Ø 5.0		KSPI5011	KSPI5011N				
Ø 6.0		KSPI6011	KSPI6011N				
Ø 7.0		KSPI7011	KSPI7011N				

D \ L	Type	11		14	
		Hex	Non-Hex	Hex	Non-Hex
Ø 4.0		KSTI4011	KSTI4011N	KSTI4014	KSTI4014N
Ø 4.5		KSTI4511	KSTI4511N	KSTI4514	KSTI4514N
Ø 5.0		KSTI5011	KSTI5011N	KSTI5014	KSTI5014N
Ø 6.0		KSTI6011	KSTI6011N	KSTI6014	KSTI6014N
Ø 7.0		KSTI7011	KSTI7011N	KSTI7014	KSTI7014N

D \ L	Type	16		Guide Pin		
		Hex	Non-Hex	0	5.0	10
Ø 4.0		KSPI4016	GSPI4016N	KSPGP150	KSPGP200*	KSPGP250
Ø 4.5		KSPI4516	GSPI4516N			
Ø 5.0		KSPI5016	GSPI5016N			
Ø 6.0		KSPI6016	GSPI6016N			
Ø 7.0		KSPI7016	GSPI7016N			

# Transfer Abutment Components

## Fixture Lab Analog

- Lab analog for fixture level impression
- Two types, each used for fixtures with a diameter of Ø3.5/4.0 or greater

For  
Ø3.5



KSTLA350



KSTLA400

## Laboratory Screw

- Lab screw: abutment screw for pore work
- Waxing screw : used for producing screw type abutment and transfer jig, by extending screw hole to the upper part

Lab Screw      Waxing Screw



KSABSL



KSABSW

OSSTEM<sup>®</sup>  
IMPLANT



# Transfer / Angled / FreeForm ST / GoldCast / NP-Cast

Fixture Level Impression



## Angled Abutment



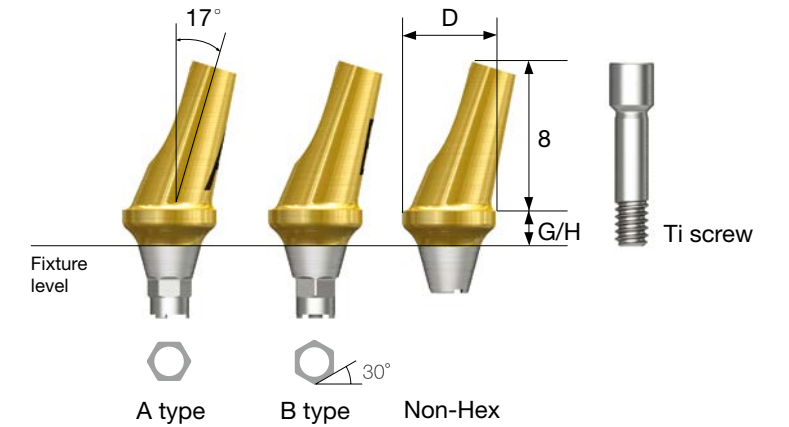
- Abutment for producing cement-retained/ combination prosthesis
- Fixture insertion angle compensated up to 23° without removal
- Fixture level impression
- Tightened with 1.2 hex driver
- G/H height raised by 0.5mm for Ø3.5 fixture with the abutment tightened
- Recommended tightening torque : 30Ncm
- Packing unit : Abutment + Ti screw

**Abutment + Ti screw order code**  
: product code + TH (ex : KSAA5020ATH)



KS products have a cylinder and a slot at the bottom.

KS non-hex products have a slot at the bottom.



D Ø4.0



G/H Type	2.0			4.0		
Hex A	Hex B	Non-Hex	Hex A	Hex B	Non-Hex	
KSAA4020A	KSAA4020B	KSAA4020N	KSAA4040A	KSAA4040B	KSAA4040N	

D Ø4.5



G/H Type	2.0			4.0		
Hex A	Hex B	Non-Hex	Hex A	Hex B	Non-Hex	
KSAA4520A	KSAA4520B	KSAA4520N	KSAA4540A	KSAA4540B	KSAA4540N	

059

KS SYSTEM

058

KS SYSTEM

# Angled Abutment

**D Ø5.0**

G/H Type	2.0			4.0		
	Hex A	Hex B	Non-Hex	Hex A	Hex B	Non-Hex
						
	KSAA5020A	KSAA5020B	KSAA5020N	KSAA5040A	KSAA5040B	KSAA5040N

**D Ø6.0**

G/H Type	2.0			4.0		
	Hex A	Hex B	Non-Hex	Hex A	Hex B	Non-Hex
						
	KSAA6020A	KSAA6020B	KSAA6020N	KSAA6040A	KSAA6040B	KSAA6040N

# FreeForm ST Abutment

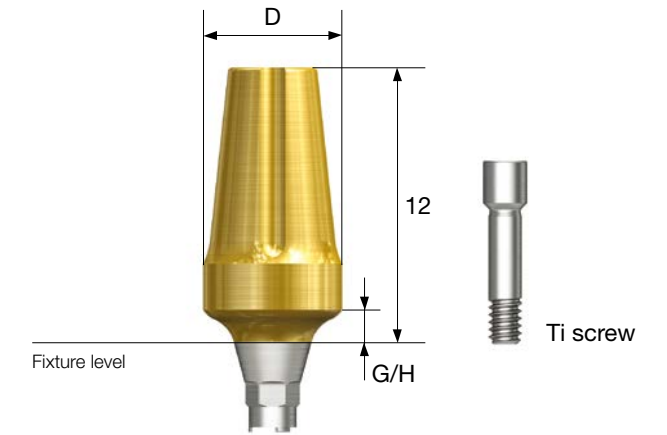
- Abutment for producing cement-retained/ combination prosthesis
- Used for adjusting the margin shape of abutment
- Fixture level impression
- Tightened with 1.2 hex driver
- G/H height raised by 0.5mm for Ø3.5 fixture with the abutment tightened
- Recommended tightening torque : 30Ncm
- Packing unit : Abutment + Ti screw

**Abutment + Ti screw order code**  
: product code + TH (ex : KSFA5015TH)



KS products have a cylinder and a slot at the bottom.

KS non-hex products have a slot at the bottom.



**D Ø4.0**



G/H Type	1.5		3.0	
	Hex	Non-Hex	Hex	Non-Hex
				
	KSFA4015	KSFA4015N	KSFA4030	KSFA4030N

**D Ø5.0 (Straight)**



G/H Type	1.5		3.0	
	Hex	Non-Hex	Hex	Non-Hex
				
	KSFAS5015	KSFAS5015N	KSFAS5030	KSFAS5030N



# FreeForm ST Abutment

D Ø5.0



G/H Type	1.5		3.0	
	Hex	Non-Hex	Hex	Non-Hex
	KSFA5015	KSFA5015N	KSFA5030	KSFA5030N

D Ø6.0



G/H Type	1.5		3.0	
	Hex	Non-Hex	Hex	Non-Hex
	KSFA6015	KSFA6015N	KSFA6030	KSFA6030N

D Ø7.0



G/H Type	1.5		3.0	
	Hex	Non-Hex	Hex	Non-Hex
	KSFA7015	KSFA7015N	KSFA7030	KSFA7030N

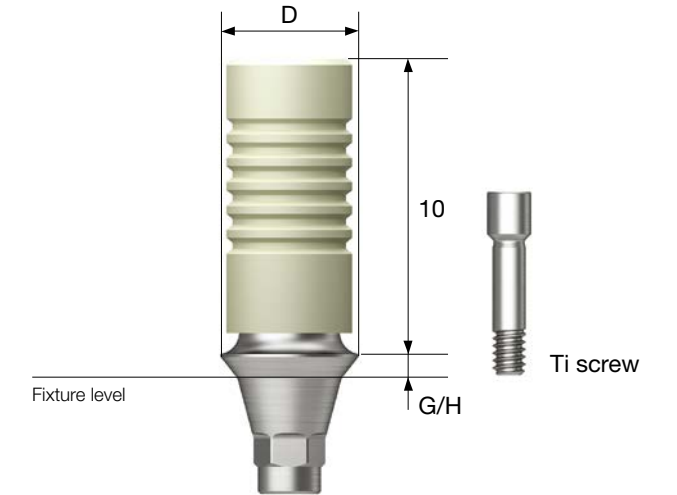
# GoldCast Abutment

- Abutment for producing cement-retained/combination/screw-retained prosthesis
- Used to produce customized prosthesis by casting with gold alloy
- Abutment melting temperature : 1,400~1,450°C
- Fixture level impression
- Tightened with 1.2 hex driver
- G/H height raised by 0.5mm for Ø3.5 fixture with the abutment tightened
- Recommended tightening torque : 30Ncm
- Packing unit : Abutment + Ti screw

**Abutment + Ti screw order code**  
: product code + TH (ex : KSGA4510STH)



KS products have a cylinder at the bottom.



D Ø4.0



G/H Type	1.0		3.0	
	Hex	Non-Hex	Hex	Non-Hex
	KSGA4010	KSGA4010N	KSGA4030	KSGA4030N

D Ø4.5



G/H Type	1.0		3.0	
	Hex	Non-Hex	Hex	Non-Hex
	KSGA4510	KSGA4510N	KSGA4530	KSGA4530N

063

KS SYSTEM

062

KS SYSTEM

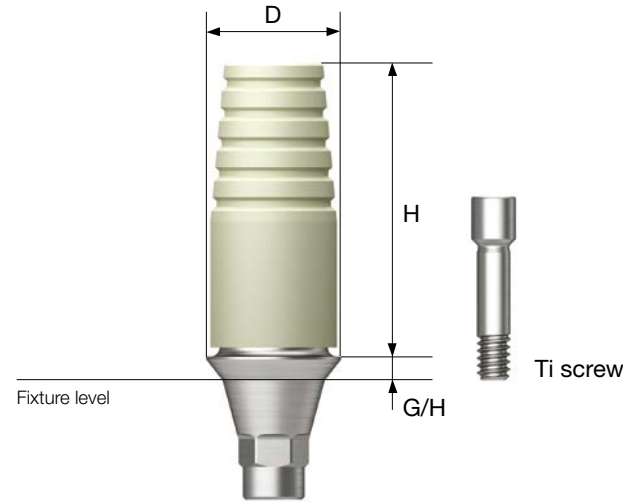
# NP-Cast Abutment

- Abutment for producing cement-retained/combination/screw-retained prosthesis
- Used to produce customized prosthesis by casting with nonprecious metal alloy
- Abutment melting temperature : 1,400-1,550°C
- Fixture level impression
- Tightened with 1.2 hex driver
- G/H height raised by 0.5mm for Ø3.5 fixture with the abutment tightened
- Recommended tightening torque : 30Ncm
- Packing unit : Abutment + Ti screw

**Abutment + Ti screw order code**  
: product code + TH (ex : KSNA4510STH)



KS products have a cylinder at the bottom.



# Pre-Milled Abutment

- Milling equipment for dental work to product custom abutment
- Easy identification of non-genuine products with the osstem authentication mark
- Excellent tightening precision compared to non-genuine products
- Dedicated line-up to various milling equipment (Milling manufacturers : Doowon, Vatech, Neo, Zirkonzahn, and Manix)
- Recommended tightening torque : 30Ncm
- Packing unit : Abutment + Ti screw

**Abutment + screw order code**  
: product code + TH (ex : KSPM10ARTH)



KS products have a cylinder and a slot at the bottom.

KS non-hex products have a slot at the bottom.



## D Ø4.0



## D Ø4.5



Equipment	D	Specifications	Code
Doowon ARUM Vatech imes-icore	Ø10	Hex	KSPM10AR
		Non-Hex	KSPM10ARN
Neo Cameleon	Ø10	Hex	KSPM10CA
		Non-Hex	KSPM10CAN
Zirkonzahn	Ø10	Hex	KSPM10ZK
		Non-Hex	KSPM10ZKN
Manix	Ø10	Hex	KSPM10MX
		Non-Hex	KSPM10MXN

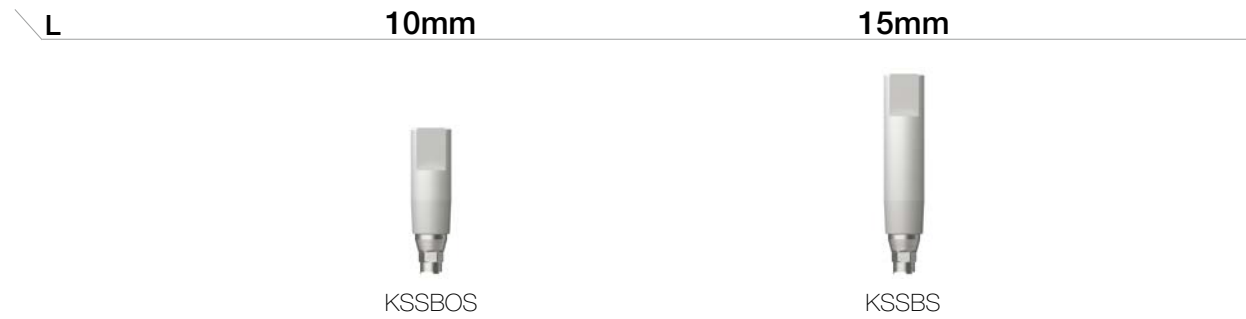
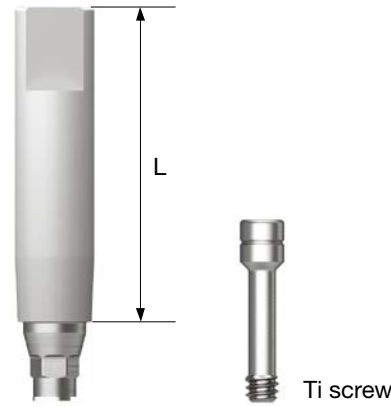
# Scan Body

- For intraoral scan: short (10mm)
- For model scan: long (15mm)
- Tightened with 1.2 hex driver
- Packing unit : Scan body + Ti screw

**Scan body + screw order code**  
: product code + **TH** (ex : KSSBOSTH)



KS products have a cylinder and a slot at the bottom.



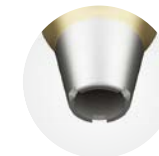
# Link Abutment for Public

- Abutment for producing cement-retained/combination/screw-retained prosthesis
- Used for producing Ti + Zr custom abutment with CAD/CAM equipment
- Osstem's official implant library provided
- Fixture level impression
- Tightened with 1.2 hex driver
- Recommended tightening torque : 30Ncm
- Packing unit : Abutment + Ti screw

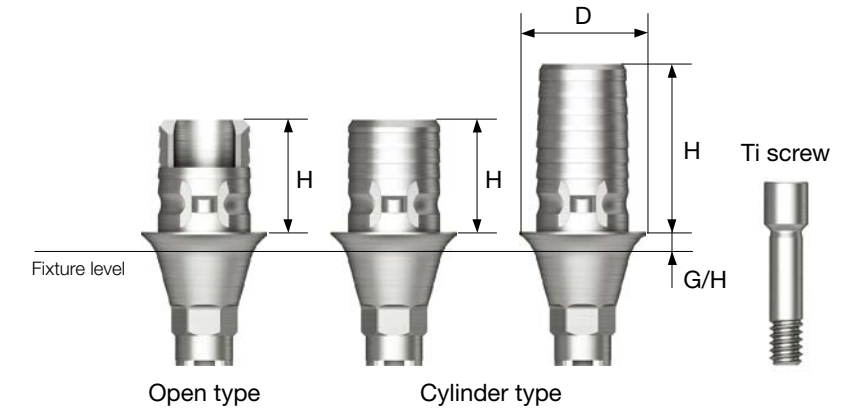
**Abutment + screw order code**  
: product code + **TH** (ex : KSPL4041TH)



KS products have a cylinder and a slot at the bottom.



KS non-hex products have a slot at the bottom.



D Ø4.0		H \ G/H Type	1.0	2.0	3.0	4.0
Hex	4.0 Open Type					
	4.0 Cylinder Type					
	6.0 Cylinder Type					
Non-Hex	4.0 Open Type					
	4.0 Cylinder Type					
	6.0 Cylinder Type					

D Ø4.5		H \ G/H Type	1.0	2.0	3.0	4.0
Hex	4.0 Open Type					
	4.0 Cylinder Type					
	6.0 Cylinder Type					
Non-Hex	4.0 Open Type					
	4.0 Cylinder Type					
	6.0 Cylinder Type					



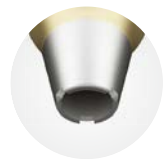
# Link Abutment for Cerec

- Abutment for producing cement-retained/combination/screw-retained prosthesis
- Used for producing Ti + Zr custom abutment with Cerec CAD/CAM equipment
- Tightened with 1.2 hex driver
- Recommended tightening torque : 30Ncm
- Packing unit : Abutment + Ti screw + Scan body

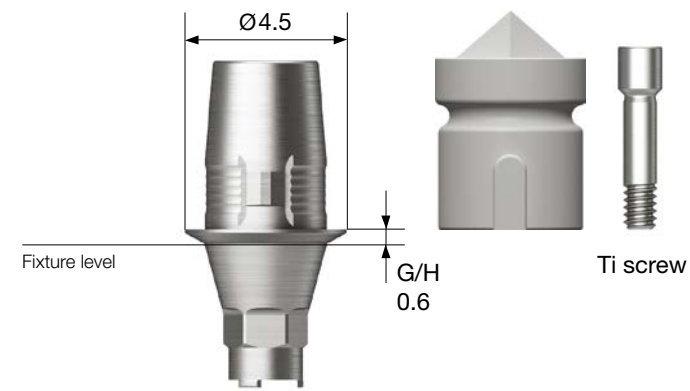
**Abutment + screw + scan body order code**  
: product code + **TH** (ex : KSCTB**TH**)



KS products have a cylinder and a slot at the bottom.



KS non-hex products have a slot at the bottom.





## Scan Post

- Used for the scan body of cerec link abutment with little vertical exposure  
(If the fixture deeply inserted or the soft tissue is thick)
- Scanning by connecting the dedicated scan body for cerec link abutment
- Tightened with 1.2 hex driver
- Packing unit : Scan post + Ti screw

**Scan post + screw order code**  
: product code + **TH** (ex : KSCSP**TH**)



Type	Hex	Non-Hex
		
	KSCTB	KSCTBN

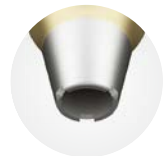
# Temporary Abutment

- Abutment for producing cement-retained/ screw-retained prosthesis
- Removed and used for producing temporary prosthesis (Ti Gr-3)
- Fixture level impression
- Tightened with 1.2 hex driver
- G/H height raised by 0.5mm for Ø3.5 fixture with the abutment tightened
- Recommended tightening torque : 20Ncm
- Packing unit : Abutment + Ti screw

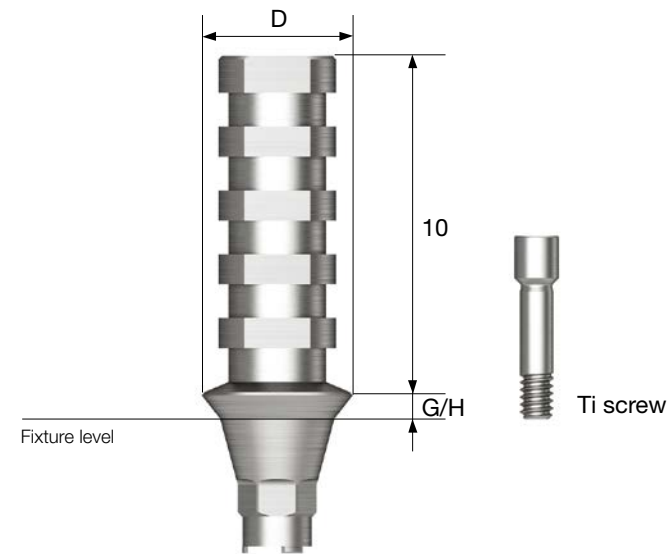
**Abutment + Ti screw order code**  
: product code + **TH** (ex : KSTTA4510**TH**)



KS products have a cylinder and a slot at the bottom.



KS non-hex products have a slot at the bottom.



**OSSTEM<sup>®</sup>**  
IMPLANT

070

**D Ø4.0**



KS SYSTEM

G/H Type	1.0		3.0	
	Hex	Non-Hex	Hex	Non-Hex
	KSTTA4010	KSTTA4010N	KSTTA4030	KSTTA4030N

071

KS SYSTEM

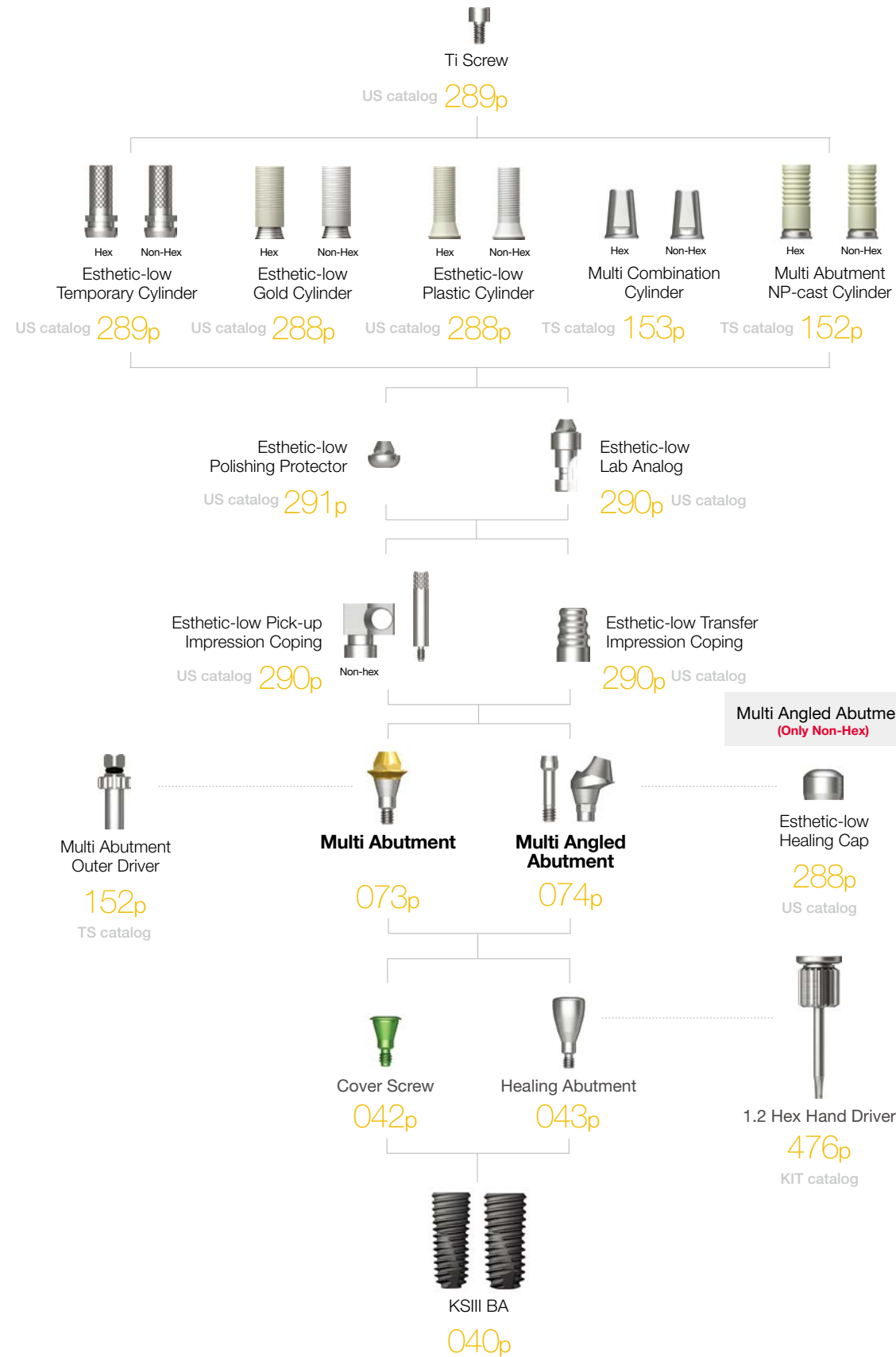
**D Ø4.5**



G/H Type	1.0		3.0	
	Hex	Non-Hex	Hex	Non-Hex
	KSTTA4510	KSTTA4510N	KSTTA4530	KSTTA4530N

# Multi / Multi Angled

Abutment Level Impression



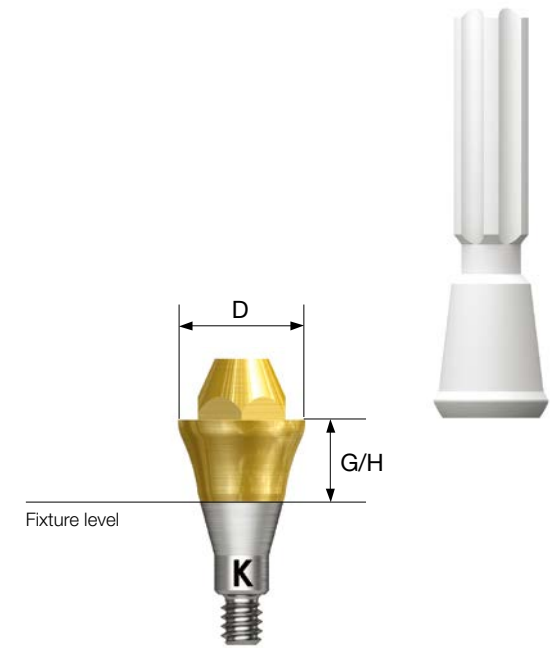
## Multi Abutment

- Used for producing screw-retained prosthesis in multiple case
- Same platform as multi angled abutment
- Producing prosthesis with US esthetic low cylinder (Regular/Non-Hex)
- Tightened with dedicated outer driver (code : MAOD)
- G/H height raised by 0.5mm for Ø3.5 fixture with the abutment tightened
- Recommended tightening torque : 30Ncm
- Packing unit : Abutment + carrier

Abutment + carrier order code : product code + P (ex : KSMA5030P)



KS products are marked with "K".



D Ø3.5





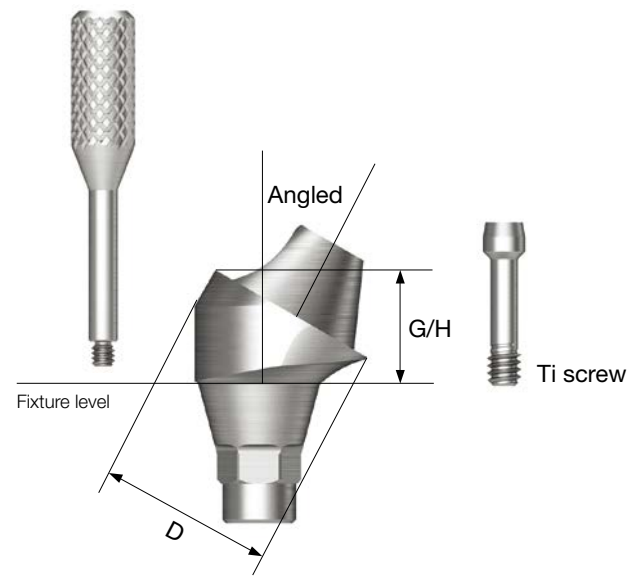
# Multi Angled Abutment

- Used for producing screw-retained prosthesis in multiple case
- Same platform as multi abutment
- Fixture insertion angle compensated up to 108°
- Producing prosthesis with US esthetic low cylinder (Regular/Non-Hex)
- Using dedicated abutment screw
- Tightened with 1.2 hex driver
- G/H height raised by 0.5mm for Ø3.5 fixture with the abutment tightened
- Recommended tightening torque : 30Ncm
- Packing unit : Abutment + Ti screw

**Abutment + Ti screw + carrier order code**  
: product code + **TH** (ex : KS17MAS4840**TH**)



KS products have a cylinder at the bottom.

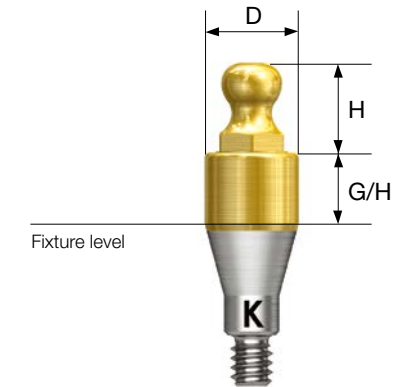


# Stud Abutment

- Abutment for overdenture with O-ring attachment
- Insertion angle compensated up to 20°
- Tightened with dedicated outer driver (Small size : STAOD / Normal size : AORD)
- G/H height raised by 0.5mm for Ø3.5 fixture with the abutment tightened
- Recommended tightening torque : 30Ncm
- Ball head diameter
- Small size : Ø1.7 (H 2.5mm)
- Normal size : Ø2.25 (H 3.4mm)



KS products are marked with "K".



074

**D Ø4.8**



Angle \ G/H	2.5	3.0	4.0
17°	KS17MA4820	KS17MA4830	KS17MA4840
30°	KS30MA4830	KS30MA4840	KS30MA4850

**D Ø3.5**



G/H	1.0	2.0	3.0	4.0	5.0	6.0
Small Size	KSST3510	KSST3520	KSST3530	KSST3540	KSST3550	KSST3560
Normal Size	KSSA3510	KSSA3520	KSSA3530	KSSA3540	KSSA3550	KSSA3560

075

KS SYSTEM

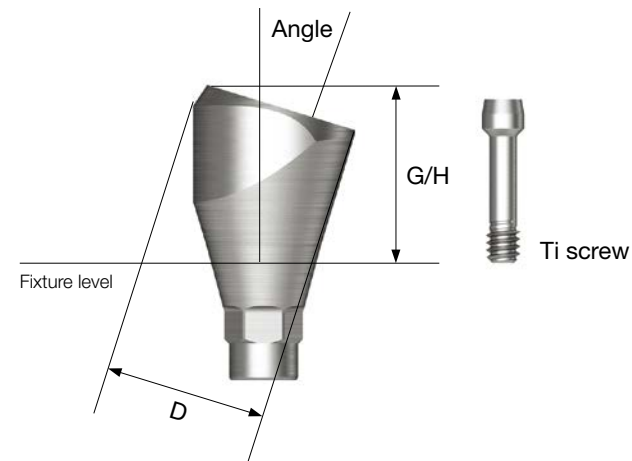
# Port Angled Abutment

- Used to compensate the placement angle for overdenture
- Abutment level impression
- Insertion angle compensated up to 60°
- Tightened with 1.2 hex driver
- G/H height raised by 0.5mm for Ø3.5 fixture with the abutment tightened
- Recommended tightening torque : 30Ncm
- Packing unit : Abutment + Ti screw

**Abutment + Ti screw order code**  
: product code + **TH** (ex : KS30PA455**TH**)



KS products have a cylinder at the bottom.



**OSSTEM<sup>®</sup>**  
IMPLANT

076

**D Ø4.6**



Angle \ G/H	4.0	5.0
10°	 KS10PA454	 KS10PA455
17°	 KS17PA454	 KS17PA455
30°	 KS30PA454	 KS30PA455

077

KS SYSTEM