

# CAS KIT (HCRSNK)



For **TSII / III** **SSII / III** **USII / III**

Top panel components

Hydraulic Membrane Lifter Tube  
SNMT



Lower panel components

Bone Carrier Head  
SNBCH30



Bone Carrier  
SNBCS35



Bone Condenser  
SNBC1114



# CAS Full KIT (HCRSNKP)



For **TSII / III** **SSII / III** **USII / III**

Top panel components

Hydraulic Membrane Lifter Tube  
SNMT



Lower panel components

Bone Carrier Head  
SNBCH30



Bone Carrier  
SNBCS35



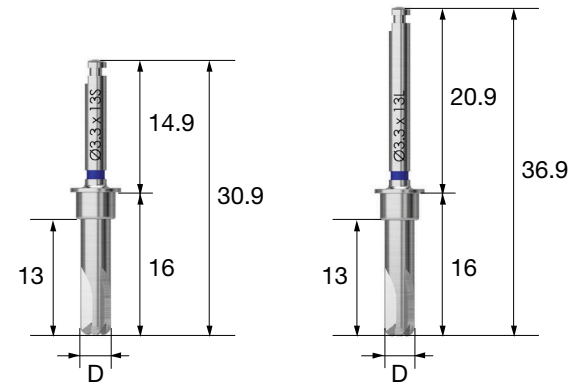
Bone Condenser  
SNBC1114



# CAS KIT Surgical Instruments

## CAS Drill

- Specialized drill designed to penetrate the sinus floor without damaging the Schneiderian membrane by forming a conical bone lid
- Four blade body drills well at both high and low speeds and is capable of collecting autogenous bone at low speeds
- Use with stoppers for safe and controlled penetration
- Final drill should be based on the bone quality, regardless of the fixture type (straight or tapered)
- Recommended speed : 400-800rpm (first time : 400rpm)

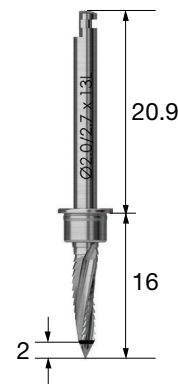


L \ D	Ø2.8	Ø3.1	Ø3.3	Ø3.6	Ø3.8	Ø4.1
<b>Short</b>	SNDR2813TS	SNDR3113TS	SNDR3313TS	SNDR3613TS	SNDR3813TS	SNDR4113TS
<b>Long</b>	SNDR2813TL	SNDR3113TL	SNDR3313TL	SNDR3613TL	SNDR3813TL	SNDR4113TL

## Guide Drill

- Marks the fixture's insertion site
- Side cutting blades trim the extraction socket sidewalls
- Marker 2mm from the tip

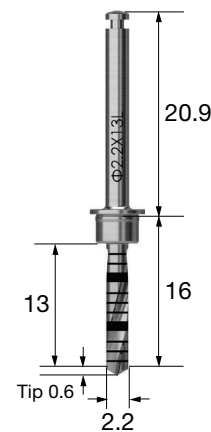
D	Ø2.0 / 2.7
	SNGD2027TL



## Ø2.2 Twist Drill

- Recommend under-drilling by 1mm less than the bone's thickness
- Use with stoppers for safe and controlled drilling
- The tip measures an additional 0.6mm

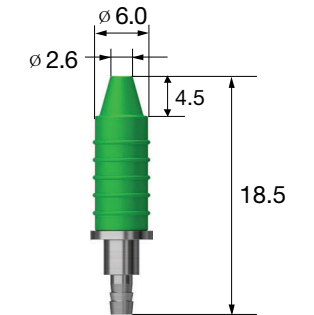
D	Ø2.2
	SNTD2213TL



## Hydraulic Membrane Lifter Set

- Hydraulic pressure is used to separate and lift the sinus membrane
- Securely fits Ø 2.8-Ø 4.1 CAS drilled osteotomies

D	Ø2.6 / 6.0
	SNMLS



## Stopper

- Laser marked numbers indicate the remaining tool's (drill, instruments, etc.) length
- Color-coded by length
- Drill and stopper recommended number of usage is 50 times

L	2	3	4	5	6	7	8	9	10	11	12
<b>Color</b>	Purple	Blue	Yellow	Purple	Blue	Yellow	Purple	Blue	Yellow	Purple	Blue

## Bone Carrier

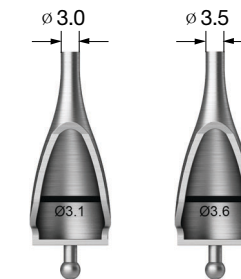
- Handle for the bone carrier head
- Connect the bone carrier head and tighten at the opposite end
- Connects both heads (SNBCH30 or SNBCH35)



D	Ø3.1	Ø3.6
	SNBCH30	SNBCH35

## Bone Carrier Head

- Cone shaped with an extended tip that reaches the sinus cavity and prevents bone material from spilling out
- SNBCH30 for Ø 3.1/3.3 CAS drilled osteotomy
- SNBCH35 for Ø 3.6/3.8/4.1 CAS drilled osteotomy
- Fill the reservoir with bone material (up to the marker), with the bone condenser shuttle the material in small quantities into the sinus. Repeat the process as necessary.



D	Ø3.1	Ø3.6
	SNBCH30	SNBCH35

# CAS KIT Surgical Instruments

## Bone Condenser

- Safely shuttles bone material through the bone carrier head into the sinus cavity
- SNBCH30 : use  $\varnothing 1.1$  / SNBCH35 : use  $\varnothing 1.4$



D	$\varnothing 1.1 / 1.4$
	SNBC1114

## Hydraulic Membrane Lifter Tube

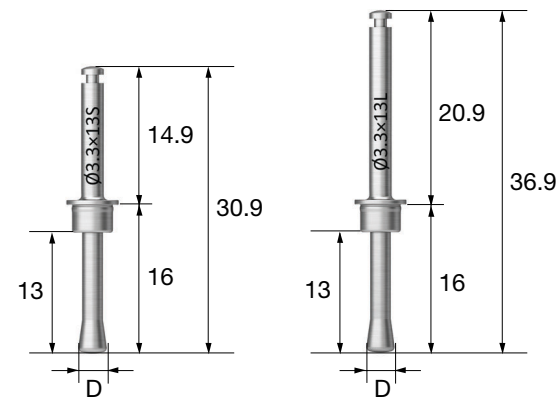
- Tubing connects to the hydraulic membrane lifter and saline filled syringe



	SNMT
--	------

## Membrane Lifter

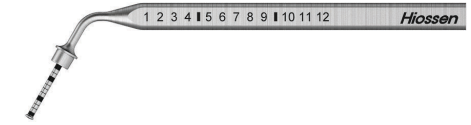
- Round shape, no cutting edge and safe membrane lift
- After the CAS drill is used, the membrane was lifted and the lifter diameter was selected according to the CAS drill diameter (head diameter : CAS drill diameter -0.2mm)
- Using CAS stopper for depth adjustment
- Recommended speed : 400~800rpm (for first user : 400rpm)
- Be sure to spray water when using



L \ D	$\varnothing 2.6$	$\varnothing 2.9$	$\varnothing 3.1$	$\varnothing 3.4$	$\varnothing 3.6$	$\varnothing 3.9$
Short	SNML2813TS	SNML3113TS	SNML3313TS	SNML3613TS	SNML3813TS	SNML4113TS
Long	SNML2813TL	SNML3113TL	SNML3313TL	SNML3613TL	SNML3813TL	SNML4113TL

## Depth Gauge

- Measures the thickness of the residual bone and checks to see if the sinus is properly separated from the floor

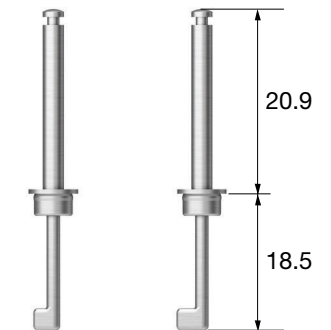


	SNDG
--	------

## Bone Spreader

- A tool that spreads a filled bone by using engine
- Used with stopper
- Recommended speed : 30rpm or less (low speed mode)

D	$\varnothing 2.0$	$\varnothing 3.0$
	SNBS2015T	SNBS3015T



## Y-Connector

- Y-type connecting tool capable of simultaneous water pressure elevation in two drilling holes



	SNYCT
--	-------